



**ISSN: 2454-9940**



**INTERNATIONAL JOURNAL OF APPLIED  
SCIENCE ENGINEERING AND MANAGEMENT**

**E-Mail :**  
**editor.ijasem@gmail.com**  
**editor@ijasem.org**

**[www.ijasem.org](http://www.ijasem.org)**

## Arduino Based Security System for Women

<sup>1</sup>P.SHANKAR, M.Tech Assistant Professor, [shankardvk48@gmail.com](mailto:shankardvk48@gmail.com)

---

### Abstract:

Raped, molested, and abducted women are among the problems that women face. Fraud will be reduced as a result of the use of this strategy, which was developed exclusively for women. In order to safeguard women, especially in urban locations where they may have problems travelling, it has been emphasised. Because the device is not unreasonably expensive, many women have elected to utilise it instead of other options.might be beneficial to oneself

---

**Keywords:** Arduino, SMS, GPS & GSM

### I. INTRODUCTION

Whenever women are travelling or taking part in outdoor activities, and if they are unfortunate

#### A. Obstacles that Women Are Forced to Surmount

Women are becoming less protected across the world as they deal with major concerns such as sexual harassment and violence against them, which are becoming more prevalent.All forms of abuseincluding domestic violence, rape, and other felonies, are forbidden. In spite of the fact that they dealing with the same problems. Women account for 232,960 people on the planet.It is claimed that the

enoughto come across these issues, and in order to avoid becoming victims of crimes, they pronounce or rather say speak keywords that will send a signal to an android. However, this can also raise suspicion in the criminal's mind, resulting in the criminal destroying the victim's android

are in the presence of law enforcement, rapists and child molesters continue to carry out their criminal activities.Laws that are harsh are enacted, and armed soldiers are deployed. The number of crimes recorded in India is increasing, with 195,856 reported in 2008 and 244,270 reported in 2009, according to the National Crime Records Bureau.2012 is the year in question. Not just India, but even the most industrialised country on the globe,theUnitedStates,is

victims of rape or sexual assault saw a spike in the number of such incidents in 2006.

---

<sup>2</sup>MOHAMMED MUJEEBULLAH, M.Tech  
Assistant

Professor,m.mujeebullah117@gmail.com

<sup>3</sup>CHEEKATYALA ANJAN KUMAR ,M.Tech

Assistant Professor , [anjankumarcheekatla@gmail.com](mailto:anjankumarcheekatla@gmail.com)

<sup>4</sup>ANAM SRINIVASA REDDY , M.Tech Assistant

Professor, [anam.srinivas@gmail.com](mailto:anam.srinivas@gmail.com)

Department:eceNagole Univeristy Engineering  
and Technology Hyderabad

---

## B. The use of technology as a tool to attain a goal

In order to solve these concerns, developers have created several programmes; but, due to a lack of functionality, these applications have not been generally embraced. Despite the fact that the problems are still unresolved, we may still read the headline of a newspaper that says "Rape" on it. The same is true when it comes to women. Even if they are travelling or engaging in any outside activities when they confront this difficulty, they should take precautions to avoid being a victim of these crimes. Women may get the benefits of this method and have their problems alleviated as a result. In this way, it contributes to the protection of women by conveying the position of the aggressor. It also hides the identify of the culprit shown in the photograph, who is a female. A further point to mention is that 30 percent of women in India have easy access to the internet.

## Related Work:

Work Associated with This: Women's protection has grown more important as the number of crimes against women and girls continues to climb. The lady wearing a watch or band implanted with an active RFID tag with an on/off switch will be warned if she is harassed. When the tag is activated, the information is passed to an RFID reader, which is connected to an 8051 CPU, and then to the police. Using the microcontroller and GSM technology, the "help" message is sent to four designated contacts (parents, friends, the media, and females), who are then notified of the message. cell). Ultimately, the purpose of this project is to create a system that can be used to safeguard anything, including a home, a vehicle, and other assets. You have the ability to make financial transactions just by opening and closing the door. [2] The major purpose of this technology is to convey the lady's whereabouts in real time. It is still under development so that a fatal circumstance may be prevented and real-time evidence can be produced to support the suspect's criminal prosecution. Offenders

are those who perpetrate crimes against women and are referred to as such. [3] Photography has become simpler for them as a result of their approach, and picture sharing is a common social media pastime. As a consequence of this trait, online social networking sites have grown in popularity over time (OSNS). In the unfortunate event that the user does not exercise caution, it has the potential to violate their privacy. No restrictions apply to the images that are submitted, commented on, or tagged on this site. [4].

## II. METHODOLOGY

There are several components in this system, including LEDs, a buzzer, a shock generator, and so on. When a lady finds herself in a difficult circumstance, she may tell the machine to send messages to five individuals who are already aware of her whereabouts, and the message is transmitted instantly and without any complications, according to the machine. The hardware components are kept in good condition so that there will be no problems that might perhaps be a mistake. There is also a power source present, and a high-quality battery has been employed to create this system, which will be of great assistance. A lady attempting to flee from a potentially harmful circumstance, since it will intelligently provide GPS ways of locating a woman, and then any of the woman's friends or family members may hurry to the spot and assist her.

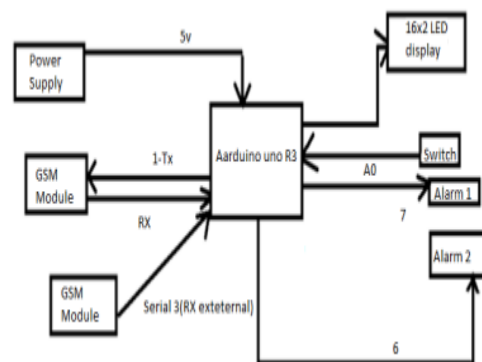


Fig 1. Block Diagram of Arduino Based Women Security System

## Aspects that are advantageous

1. It is simple to trace a woman's whereabouts.
2. The use of buzzers aids in attracting people's attention.
3. Reasonably priced, but not too so

## B. Negative aspects

1. Heavily laden with natural resources
2. If the connections are slack, the output will not be as expected.
3. An internet connection is required in order to monitor a woman's whereabouts.

## V. FUTURE SCOPE

The major objective of the world is to ensure the safety of women. We can achieve this goal by implementing this model, which will gradually extend to rural areas, where women will be able to benefit from it at a low cost and will be able to leave their houses without being assaulted. It is possible to make this system more sophisticated by integrating a calling feature as well as the ability to transmit the location to a third-party recipient. The police station that is the most convenient for you. Selecting photos in the advanced system is accomplished by just clicking on them.

## VI. CONCLUSION

After carefully examining this system model, we can conclude that it will almost certainly contribute to a reduction in crime against women, and that by transmitting location information, it will be simpler to assist a lady in need.

## REFERENCES

[1]. ShaikMazharHussain and ShaikJhaniBhasha "Design of women safety system using RFID, 8051microcontroller and

GSM based technology prototype" <https://ijarce.com/wp-content/uploads/2012/03/IJARCEIH-s-shaik-Design-of-women.pdf>

[2]. B. MahaLakshmi, V. Mounika, D. Thriveni, SK. Apsarunnisa, A. Praveena and P. Manasa "Electronic Security through Pattern Generation Using Android and GSM Technology" <https://ijarce.com/wp-content/uploads/2012/03/IJARCE-100.pdf>

[3]. D. G. Monisha, M. Monisha, PavithraGunasekaran and SubhashiniRadhakrishnan "Women safety device and application-FEMME" [https://www.researchgate.net/publication/299404936\\_Women\\_safety\\_device\\_and\\_application-FEMME](https://www.researchgate.net/publication/299404936_Women_safety_device_and_application-FEMME)

[4]. BhushanPatil, SagarChougule, KiranThorat and Prof.MonikaDangore "Smart Security System for Online Social Networks" <https://ijarce.com/upload/2017/november-17/IJARCE%2053.pdf>

[5]. <https://now.org/resource/violence-against-women-in-the-united-states-statistic/>

[6]. <https://www.youtube.com/watch?v=4A5U0igtGE>

[7]. [https://en.wikipedia.org/wiki/Violence\\_against\\_women\\_in\\_India](https://en.wikipedia.org/wiki/Violence_against_women_in_India)

[8]. Mr.Pampapathi B. M, Komal Singh, Madhavi V, and Madhu B Yallaraddi "Smart Band for Women Safety using Internet of Things (IoT)" <https://ijarce.com/upload/2018/march-18/IJARCE%2023.pdf>

[9]. Ms.KhairkarAshwini, GollarPratiksha, KulakarniAnuja, SuryawanshiVarsharani, Swami Gayatri "Secure Network System using HoneyPot" <https://ijarce.com/upload/2017/february-17/IJARCE%2053.pdf>

[10]. Kavita Sharma, Anand More "Advance Woman Security System based on Android" <http://www.ijirst.org/articles/IJIRSTV2I12183.pdf>

[11]. Ms.Sonali S. Kumbhar, Ms.SonalK.Jadhav, Ms.PrajaktaA.Nalawade, Ms.TamannaY.Mutawall "Women Security System Using GSM And GPS" <https://www.irjet.net/archives/V5/i3/IRJET-V5I3551.pdf>

[12]. ShubhamMagidwar, AkshayHargane, Pratik Singh, MrudulaNade, Rama Gaikwad "Implementation of a Wearable Defence System for Women's Security using Wireless Sensor Network" <https://www.irjet.net/archives/V3/i11/IRJET-V3I11220.pdf>