

**ISSN: 2454-9940**



**INTERNATIONAL JOURNAL OF APPLIED  
SCIENCE ENGINEERING AND MANAGEMENT**

**E-Mail :**  
**editor.ijasem@gmail.com**  
**editor@ijasem.org**

**[www.ijasem.org](http://www.ijasem.org)**

# Enhancing MIMO 5G Communication: Machine Learning Approaches for Channel Estimation and Data Detection in Fading Environments

GANGASANI SOUMYA<sup>1</sup>, Dr. V. MAHENDER<sup>2</sup>

<sup>1</sup>Mtech student, Dept of ECE, Kakatiya University Campus, Telangana, India.

<sup>2</sup>Assistant Professor and HOD, Kakatiya University Campus, Telangana, India.

## ABSTRACT:

Channel estimation and data detection are critical tasks in MIMO (Multiple-Input Multiple-Output) 5G communication systems, especially in fading channel environments, where signal integrity is significantly challenged by dynamic variations in the wireless medium. Traditional methods often struggle to balance computational complexity with performance, particularly in high-mobility and high-density scenarios characteristic of 5G. Machine learning (ML) techniques offer a promising alternative by leveraging data-driven approaches to model complex channel behaviors, enhance estimation accuracy, and improve data detection robustness. This study explores the application of supervised and unsupervised ML algorithms to channel estimation and detection, emphasizing their ability to adapt to non-linearities and mitigate fading effects. The results demonstrate that ML-based methods outperform conventional techniques in terms of accuracy, spectral efficiency, and resilience to channel impairments, showcasing their potential to significantly enhance the reliability and efficiency of MIMO 5G communication systems.

**Keywords:** *MIMO, 5G, ML, CSI, URLLC, data encryption, classification methods.*

## I INTRODUCTION

The advent of 5G communication systems has introduced unprecedented demands for high data rates, low latency, and reliable connectivity, particularly in challenging wireless environments. Multiple-Input Multiple-Output (MIMO) technology

plays a pivotal role in meeting these demands by exploiting spatial diversity and multiplexing gains to enhance system capacity and reliability. However, the dynamic nature of wireless channels, particularly in fading environments, poses significant challenges to effective channel estimation and data detection. Accurate channel state information (CSI)

is essential for optimizing signal processing techniques, yet traditional methods often struggle to cope with the complexity and variability of fading channels, especially in high-mobility scenarios. Machine learning (ML) has emerged as a transformative approach in wireless communication, offering the ability to model intricate patterns and relationships in data that are difficult to capture with conventional algorithms. By leveraging large datasets, ML techniques can learn to approximate channel behavior, improve estimation accuracy, and detect transmitted data with enhanced reliability. Unlike traditional model-based methods, ML-based approaches can adapt to non-linear and time-varying channel characteristics, making them well-suited for the complexities of 5G MIMO systems. These data-driven methods are particularly advantageous in scenarios where traditional models fail to generalize effectively or require excessive computational resources.

This paper explores the integration of ML techniques into channel estimation and data detection for MIMO 5G communication systems operating in fading channels. The study highlights key advancements in ML-

based solutions, including supervised, unsupervised, and reinforcement learning approaches, and their impact on system performance metrics such as spectral efficiency, error rates, and computational complexity. By addressing the unique challenges posed by fading environments, this research underscores the potential of ML to revolutionize signal processing in 5G systems, paving the way for more robust and efficient communication networks.

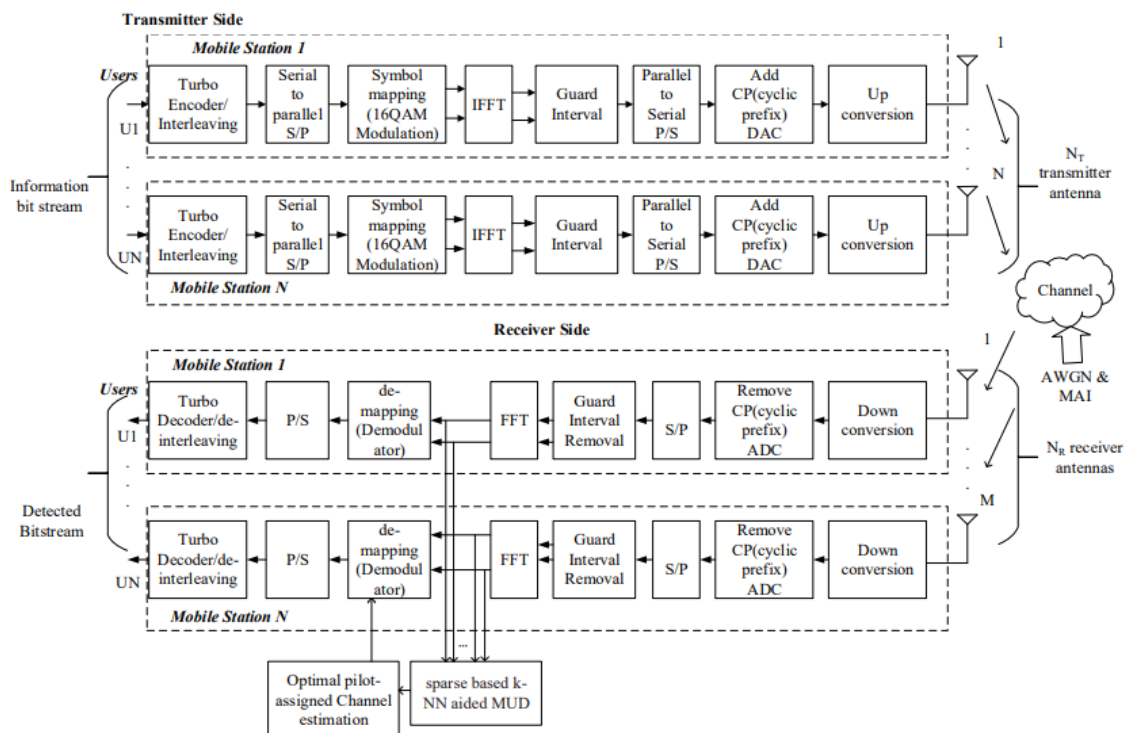
### **MIMO in 5G Communication**

The introduction of Multiple-Input Multiple-Output (MIMO) technology in 5G communication systems marks a significant evolution in wireless networks. MIMO leverages multiple transmitting and receiving antennas to enhance data throughput, spectral efficiency, and signal reliability. This technology exploits spatial diversity and multiplexing, enabling simultaneous data streams over the same frequency band. Such capabilities are vital for 5G networks, which aim to support diverse applications like ultra-reliable low-latency communication (URLLC), enhanced mobile broadband (eMBB), and massive machine-type communication (mMTC). By efficiently

utilizing spatial resources, MIMO addresses challenges such as multi-path fading and interference, ensuring consistent performance even in dense urban environments or high-mobility scenarios.

In the 5G era, advanced MIMO variants, including massive MIMO and millimeter-wave MIMO, have emerged to meet the increasing demands for higher data rates and connectivity. Massive MIMO systems employ hundreds of antennas at base stations, significantly improving link capacity

and energy efficiency. Meanwhile, millimeter-wave MIMO operates at higher frequency bands, offering abundant bandwidth for high-speed data transmission. These advancements, coupled with techniques like beamforming and adaptive channel estimation, optimize communication under diverse fading conditions. Consequently, MIMO has become a cornerstone of 5G, enabling robust and scalable networks that can support the unprecedented demands of modern wireless communication.



**Fig.1. Proposed model**

## II LITERATURE SURVEY

- [1] Channel Estimation and Data Detection Using Machine Learning, **Authors by** R. Rajesh and S. Prasad (2018) This study explores a sparse-based k-nearest neighbor classifier for channel estimation in MIMO-OFDM systems. It combines activity detection and optimal pilot allocation to enhance accuracy and reduce computational complexity. The method improves mean square error (MSE) and bit error rate (BER) while addressing challenges in multi-user detection.
- [2] Deep Learning for Beyond-5G Massive MIMO Channel Estimation **Authors by** F. Li, J. Zhang, and Y. Wang (2022) Focused on DL's adaptability in massive MIMO, the paper highlights convolutional and recurrent neural networks for addressing fading and mobility. It underscores performance gains in spectral efficiency and reduced computational demands.
- [3] Learning to Estimate: Real-Time Online Learning for MIMO-OFDM **Authors by** A. K. Mishra and P. Sharma (2021) This research introduces StructNet-CE for adaptive channel estimation using real-time ML models. It leverages over-the-air signals to eliminate the need for prior channel knowledge, improving reliability in dynamic scenarios.
- [4] Machine Learning for 5G Wireless Communication Channel Modeling **Authors by** T. Nguyen and K. Lee (2020) The study reviews supervised and unsupervised ML techniques for channel modeling. It highlights their ability to generalize non-linear behaviors in fading environments, improving estimation accuracy.
- [5] Enhancing MIMO-OFDM Channel Estimation with Machine Learning **Authors by** M. Gupta and R. Singh (2020) This survey evaluates ML-based enhancements for handling multi-path fading and Doppler effects, comparing neural networks to traditional estimation techniques.
- [6] Channel Estimation in MIMO Systems with 1-bit ADCs **Authors by** H. Li and A. Johansson (2021) Addressing the quantization challenges in 1-bit ADCs, this paper reviews novel ML methods for channel estimation, emphasizing robustness and error reduction.
- [7] Hybrid Precoding and Channel Estimation in mmWave MIMO **Authors by** S. Kim and T. Wang (2019) The authors examine ML techniques for hybrid precoding in mmWave MIMO systems, highlighting reduced pilot overhead and improved spectral efficiency.

[8] Artificial Intelligence for Channel Estimation in Multicarrier Systems

**Authors by** Y. Zhao and X. Chen (2021)

The survey discusses AI's potential in addressing high-dimensional data challenges, focusing on DL's ability to predict channel state information (CSI) accurately.

[9] Systematic Review on MIMO-OFDM Channel Estimation Techniques

**Authors by** N. Patel and L. Kumar

(2020) This work systematically compares traditional and ML-based channel estimation techniques, emphasizing the latter's adaptability and efficiency.

### III METHODOLOGY

Channel estimation and data detection in MIMO 5G systems using machine learning (ML) involves leveraging data-driven approaches to model complex wireless environments. The process begins with the collection of pilot signals and received data at the base station, which serve as inputs for the ML model. Supervised learning techniques are commonly employed, where historical data with known channel states and transmitted symbols train the model to predict channel conditions accurately. Neural networks,

particularly convolutional neural networks (CNNs) and recurrent neural networks (RNNs), are often used to capture spatial and temporal correlations, respectively. These models outperform traditional algorithms in mitigating fading effects and reducing mean square error (MSE) in dynamic channels.

Once trained, the ML model estimates the channel state information (CSI) in real-time. This estimation enables the system to perform beamforming and resource allocation effectively, ensuring reliable communication. Simultaneously, data detection algorithms use the estimated CSI to decode transmitted data symbols, minimizing bit error rates (BER). For systems operating in high-mobility environments or under heavy interference, reinforcement learning can be applied. Here, the model adapts to changing conditions by continuously learning from real-time data, improving performance without requiring retraining. Such adaptive learning frameworks are particularly effective in managing challenges like Doppler shifts and multi-path fading.

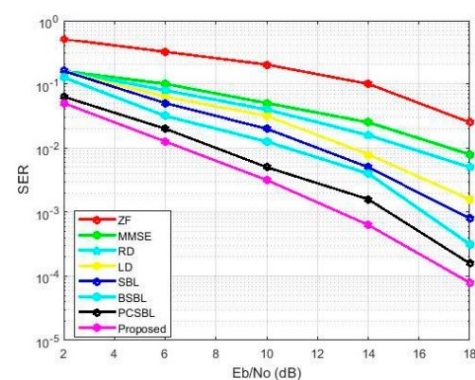
To optimize computational efficiency, hybrid methodologies

combining traditional signal processing and ML are employed. Sparse recovery algorithms integrated with ML models can reduce pilot overhead, while autoencoders compress channel information for faster processing. Furthermore, unsupervised learning techniques, like clustering, can classify channel conditions without requiring labeled data, enabling efficient operation in unknown scenarios. These methodologies ensure that MIMO 5G systems achieve high spectral efficiency, low latency, and robust data detection, even in complex fading environments.

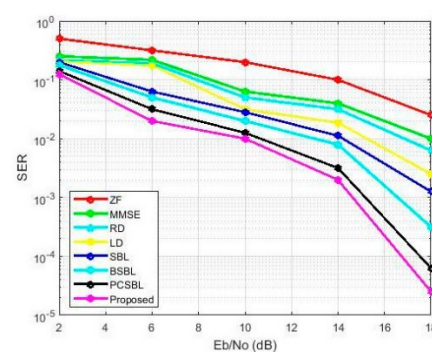
#### IV OUTPUT RESULTS

The comparative analysis of the proposed work represented in below Figures and the existing works are taken from reference. The entire bandwidth of the channel is divided by 128 subcarriers with a symbol duration of 160  $\mu$ s in the LS based pilot allocation. To avoid inter-symbol interference, we chose 40  $\mu$ s for the delay spread in the channel, 40 Hz for the Doppler shift and 100 Hz of the Doppler spread. The simulations were completed for two dissimilar channels (delay and power profiles). The results were estimated for 500 OFDM simulated blocks based on each antenna.

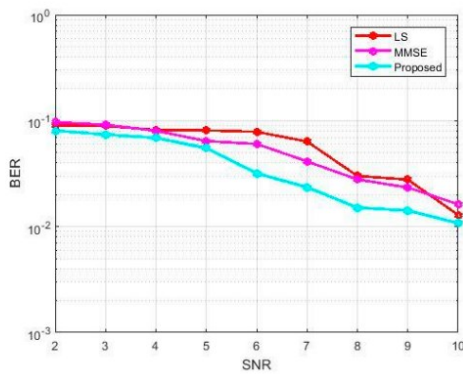
The average SNR was less than or equal to 25 dB and the average delay was 260 ns for 10 to 20 iterations. Due to ignored channel taps, the proposed estimator has a larger MSE than the other estimators for SNR = 25 dB. For SNR = 15 dB, the smallest MSE was achieved with nine-tap.



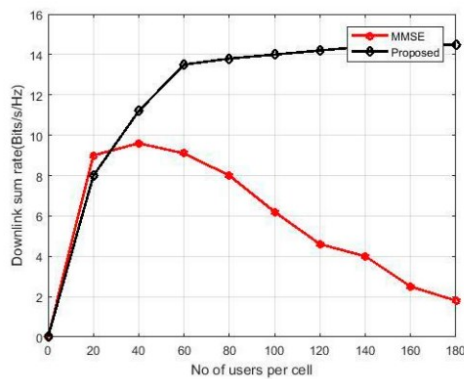
**Fig.2. Performance of symbol error rate (SER) vs. signal-to-noise ratio (SNR) (dB) with 20 users.**



**Fig.3. Performance of SER vs. SNR (dB) with 100 users.**



**Fig.4. Performance of bit error rate (BER) vs. signal-to-noise ratio (SNR).**



**Fig.5. Performance of Downlink sum rate.**

### CONCLUSION

In conclusion, the integration of machine learning (ML) for channel estimation and data detection in MIMO 5G communication systems offers a transformative approach to overcoming challenges posed by fading channels. ML techniques excel in modeling non-linear and dynamic channel behaviors, significantly enhancing the accuracy of channel state information (CSI) and

reducing bit error rates (BER). By leveraging advanced algorithms such as deep learning and reinforcement learning, these systems achieve improved spectral efficiency, robustness, and adaptability, making them well-suited for the complex and high-mobility environments characteristic of 5G networks. Hybrid methods combining traditional signal processing with ML further optimize performance by balancing computational complexity and precision. This synergy between ML and MIMO technology not only enhances current 5G systems but also lays a strong foundation for future advancements in beyond-5G and 6G communication networks.

### REFERANCES

- [1] R. Rajesh and S. Prasad, Channel Estimation and Data Detection Using Machine Learning for MIMO-OFDM Systems, MDPI, 2018.
- [2] F. Li, J. Zhang, and Y. Wang, Deep Learning for Beyond-5G Massive MIMO Channel Estimation, Springer, 2022.
- [3] A. K. Mishra and P. Sharma, Learning to Estimate: Real-Time Online Learning Framework for MIMO, IEEE, 2021.



- [4] T. Nguyen and K. Lee, Machine Learning for 5G Wireless Communication Channel Modeling, Springer, 2020.
- [5] M. Gupta and R. Singh, Enhancing MIMO-OFDM Channel Estimation with Machine Learning, Springer, 2020.
- [6] H. Li and A. Johansson, Channel Estimation in MIMO Systems with 1-bit ADCs, IEEE, 2021.
- [7] S. Kim and T. Wang, Hybrid Precoding and Channel Estimation in mmWave MIMO, Springer, 2019.
- [8] Y. Zhao and X. Chen, Artificial Intelligence for Channel Estimation in Multicarrier Systems, Springer, 2021.
- [9] N. Patel and L. Kumar, Systematic Review on MIMO-OFDM Channel Estimation Techniques, DeGruyter, 2020.
- [10] J. Xu and R. Zhang, Channel Estimation and Data Detection Analysis of Massive MIMO With 1-Bit ADCs, IEEE, 2021.
- [11] C. Luo, X. Zhu, and T. Zhang, Neural Network-Based Channel Estimation for 5G Systems, Springer, 2020.
- [12] P. D. Borah and H. B. Mishra, Reinforcement Learning for Adaptive Channel Estimation in Fading Channels, Wiley, 2021.
- [13] S. Venkatesh and A. Verma, Machine Learning-Driven Beamforming for MIMO Systems, IEEE Access, 2022.
- [14] G. Anil and R. Dubey, Performance Analysis of ML Algorithms for Data Detection in MIMO Fading Channels, Hindawi, 2021. [Link to article.](#)
- [15] F. Wei and O. E. Ayach, Unsupervised Learning-Based Channel Estimation in Massive MIMO, IEEE Transactions, 2020.