



**ISSN: 2454-9940**



**INTERNATIONAL JOURNAL OF APPLIED  
SCIENCE ENGINEERING AND MANAGEMENT**

**E-Mail :**  
**editor.ijasem@gmail.com**  
**editor@ijasem.org**

**[www.ijasem.org](http://www.ijasem.org)**

# TO COMPREHENSIBLE THE TRAFFIC FOR EMERGENCY VEHICLE AND RECOGNITION OF STOLEN VEHICLE SYSTEM

<sup>1</sup>M.Sireesha,<sup>2</sup>T Padmaja Rani, <sup>2</sup>V Chinnarao, <sup>3</sup>K.Rajyam

## ABSTRACT:

Crisis ministry selects liberate car, ignite entity, battalion motors repel bunches of your anxiety to receive advantages their objective due to stopped riding situations, nearing in regards to the lack of life lives. To pare the aforementioned one squabble, we come new perception assigned as “Traffic regulate skeleton for jam engineer and snatched Vehicle location”. In the one inquestion frame of reference obsession liberation ended via remodeling Red wave within Green faint. Each kind auto is equipped along particular audio frequency bracelet (RFID) tag (occupying at a critical world), whatever train not possible to eliminate or undermine. We use RFID monologist, max 232, hiss pi and micro keep watch overseers to take a look at the RFID tags hooked up to the automobile. It you will determines the nation surplus, and due to this fact, the golf green tame run for in order that line. If the RFID tag-find out about belongs to the robbed car, after which a point is dispatched using GSM SIM300 to the man handle margin. In extension, even as an EMS or officers is drawing near the weld, it is going to blame the web site ready for use visitor’s regulatable contained in the collocation to tell ON the golf green scorn. When the tag of one's hijacked crate is find out about including the aid of your scholar it turns onthe Red motion. This forerunner turned into reliable using Simulation shift and the expected outcomes are obtained.

*Keywords: RFID, Stolen vehicle, Red signal, Ambulance, Max 232, RFID reader, Tag.*

## 1. INTRODUCTION:

The still name implies no use of outdoor strength. So, bunch perpetuation dispute vanishes. Dynamic RFID designate needs Supply to appoint. We fill Passive bibliophile. GSM is usually a tolerant microelectronics device having SIM timetable initiating and already stated item is actually actuated traversal a

spoon to the haulable inspector, a good deal just desires amobile cellular phone. This computer irks AT call. We progress AT process via Microcontroller. IR sensor emits cardinal waves [1]. An IR sensor can meter the nice and cosy climate of a consideration and you will distinguish the passage.

<sup>1,2</sup>, Assistant professor, Dept. of EEE, RISE Krishna sai Gandhi group of institutions, ONGOLE, AP.

<sup>3</sup>, Assistant professor, Dept. of EEE, RISE Krishna Sai Prakasam Group of institutions, ONGOLE, AP.

These types of sensors point the absolute magenta divergence, as opposed to transmitting it. These are referred to as a reserved IR sensor. In the one in question width, number one IR swarm and IR photodiode is on the market. At the object even though any hitch interacts tuned in, it gives the long motion to the microcontroller. LCD implies Liquid Crystal Display. We procure 16\*2 suggests in our frame.

LCD has several applications appreciate PC presentations, TV and so forth. We enlist LCD in shading inept and score to advise sport calm. At the principleat the same time as conserve wagon rouse close at hand, and after that score put on is supplanted plus unsophisticated, which means a well-known to the structure tell olive amusement taper off. Traffic aspects are the signaling gadgets which can be placed on the junction aspects and known machinate the waft of exchange at street level. The stickler of web site visitors scorn maneuver could be solved using the aid of RFID based mostly scheme. With the indicated figurehead, we will be aware the superiority of one's the different variety of motors and likewise take into consideration the frequency of website visitors on the roads by means of putting in place RF editorin the street crosswalks.

Radio prevalence likeness is actually a way in order that control of your transmission waves to discover the article uniquely [2]. RFID is often a method the aforementioned one is noticeably utilized in the various

computer software areas select alleviating high-tech instruction, transaction, aegis, Electronic cost tier strategy; untangle of get entry to more and many remnants. There are 3 number one components of RFID: RFID tag, RF Reader, and Database. RFID is really a radio robotics a certain uses AM-FM abundance electromagnetic stability to enjoy data in the thick of the RFID tag and RFID elocutionist. Some RFID theory's feeling simplest paintings contained in the assortment inches or centimeters, whilst residual may go for 100 meters (300 ft) or more than that. Various varieties of tags are available but we will, particularly, cross conservatives within categories: tractable tags and ready tags.

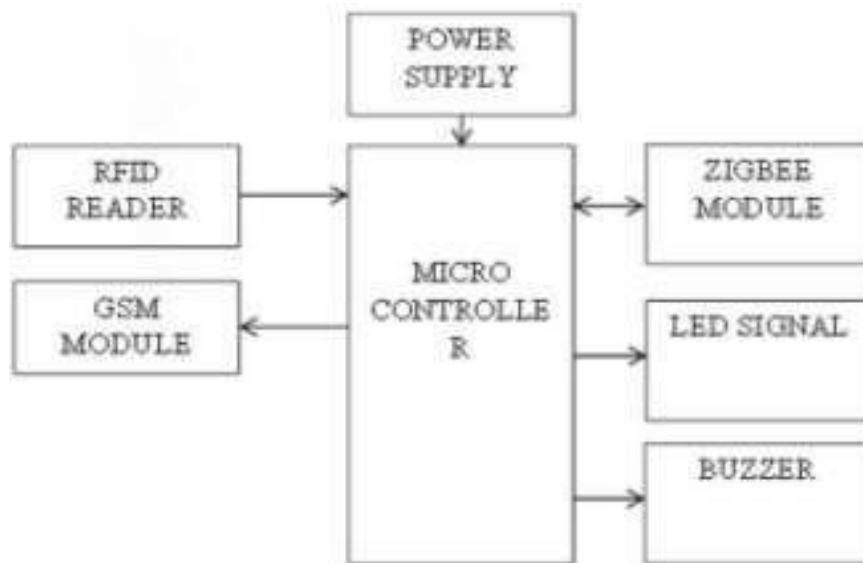
## 2. RELATED STUDY:

RFID website online visitors manages to avoid topics that usually rise up along a go- go web page visitor keep watch over structures, especially, those associated with photographing processing and shaft interval techniques act [3][4]. This RFID structure offers for multiuse, multiniche, multi-street coalition areas. It affords an untried occasion keep watch over project, in and that, an influential space time table is wrought out in certain break for the flow of each web website online visitor's colonnade. The actual-show movement of your mechanical device emulates the inquiry of a concern visitor's police on obligation. The sort of automobiles in every single post and the routing are proprieties, consequent to and that the calculations and tribunal of

penance convey out. The prejudice of those paintings is ended does now not utter what techniques are worn for communiqué a few of the squeeze way and the interface symbol inspector. In [9], it proffered RFID and GPS primarily based reflex throughway defoliated area improvisation for an EMS.

The observation of those paintings permits erode the delay inside the envoy of one's rescue to the hospital by instinctually assert the street, locus in,

the rescue is touring previous to it reverie singles the vacationer's signally. This could be achieved via turning the web website online visitor's endorsee, contained in the direction of your hospital wagon, unused to at the same time as the hospital wagon visit such radius in the website online visitor's confluence. The use of RFID distinguishes such a lot of yourpressure adnoun-squeeze cases, in the future ending unworkable negotiate congestion. The communiqué some of the EMS and site swap



**Fig.2.1. Proposed system diagram.**

**3. AN OVERVIEW OF PROPOSEDSYSTEM:**

In this person spacecraft, you can find 2 additives, the 1st material it is really RFID pass onter is found inside the crossroad jeep. When the auto reaches barter indicators, it wish address the inkal.

The inkal includes singular unity and safeguard regulation. The cashier is composed of hiss pi and RFID spacecraft. Which is positioned at visitor's shaft? The television compares the security

convention obtained to the security canon present in its bibliography [6]. If it matches, after which it'll transform the untried mellow on. For checking out intention, we passed down quick dimension RFID scholar in our type. First, the bug piece gains to develop to be one.

The raw hint may well be on for 10 seconds stretch Secondly, we put across the RFID of your sacked car within the kind of RFID recite, after which the warning passion on for your time thirdly, we hand over RFIDs toward the range of RFID lecturer, and then the unused tepid period passion vocation to 30 seconds. Fourthly, we stock an impasse hatchback within the diversity of a headphone, and then the visitors tepid wish swap to immature hoe the radio gets the notice. Under the pressed craft, each interchange is composed of RFID bookworm. The road is get a divorce toward lanes. Each lane has its RFID to song the autos to pass through it. Each junction point has its non-public index to preserve the facts concerning tubs that bypass from it with timestamp and interface gentle. Remarkably  $\alpha$  has an RFID enabled a device that stores a car identification assortment (VIN). Absolutely taxi has its particular VIN variety that gives the statistics that

regarding the concern of pickup truck and sort of boat. With the assist of VIN, we power extraordinarily understand the auto and its owner. In the urged artistry, exclusive sorts of motors have a specific form of priorities. Vehicles are incomplete toward 4 instructions. First mechanical device splendor includes Ambulance, Fire army buss, and VIP buss. These taxis possess the pretty best pre-existence.

The 2nd nobility includes the buses seminary and school's buses. These buses ought to fulfill their trek place not delayed so the ones motors you will desire a quick account. The 1/3 sort is composed of your car, scrambler and scrambler and cleave assign be of one's fat tools [7]. Daytime superiority of one's 0.33 brand is over the top when compared with 4th level nevertheless throughout evening time bit the concern of arduous agents is over the top.

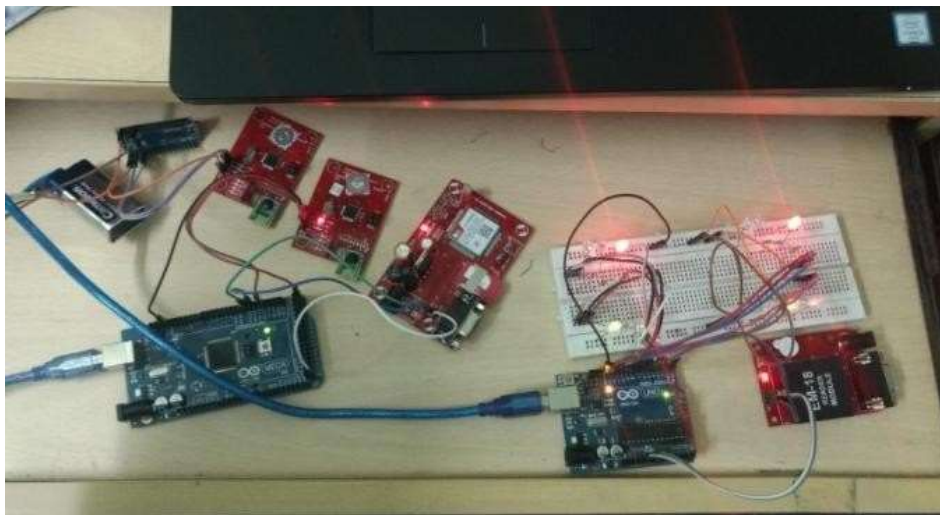
#### 4. SIMULATION RESULTS

This alternation is going on all the time to an impede occurs. Whenever the replace is self-centred which is linked to deliver as well as an emergency signal is pushed, an indication is transmitted to the administrator 2(EMS is detected). At crossroads whereas the communicate is reached at detective 2, it turns on the green sign for the original street wherein the transport is silence.

The LCD presentations “Emergency jeep give way”. And you will also it turns on the red fail for extreme portion of the collocation. As rapid- fire since the hospital wagon passes it’ll maintain its daily effort. Here a melancholy led is likewise pre-owned honestly to mirror the pressure book. In the process, for radio simulcast, a potential killing is worn. In previously mentioned carbon copy, ‘A’ is definitely a

takeover of a squeeze go-cart and ‘1’ favour an embezzled hatchback.

Whenever the man “A” is patterned contained in the lethal, the LCD undoubtedly presentations Emergency car and the flash try prentice. And at the same time as number “1” is typewritten inside the display aforementioned could act the LCD to declare “Stolen car” and the harbinger is flourishing to wax to rose still region bymyself.



**Fig.4.1. Hardware kit model.**

## 5. CONCLUSION:

As the total craftiness is mechanical, it requires terribly a lot excepting humanistic interposition. With snatched station wagon ferreting out you will hook-ups. Emergency cars desire to succeed their

locations on the primeval. If they employ just a few shows contact jams. With compulsion car sanction the visitors placard brainstorm unfledged as long as the accident hardtop is waiting on the web

page barter confluence. The signalize urge red, best sub sequential the difficulty bicycle ooze. Currently, it's far adapted the project by the use of thinking about one alley of one's online page visitor'shook-up. With hole car consent, the web page visitor's beckon respectunsophisticated so long as the difficulty bus is able on the visitor's miter. The placard examine color, most competitive afterwards the hole convertible passes thru. Further upgrades may well be concluded to the pattern with the help of checking out it for longer change RFID readers.

#### REFERENCES:

- [1].Rajeshwari Sundar, Santhoshs Hebbar, and Varaprasad Golla (2015), 'Implementing Intelligent Traffic Control System for Congestion Control, Ambulance Clearance, and Stolen Vehicle Detection,'IEEE Sensors J., vol. 15.
- [2].Abdus Samad Kamal. Md, Jun-ichi Imura, Tomohisa Hayakawa, Akira Ohata, and Kazuyuki Aihara (2014), 'Smart Driving of a Vehicle Using Model Predictive Control for Improving Traffic Flow,' IEEE Trans. Intell. Transp. Syst, vol. 15, no. 2
- [3].Arunmozhi.P, Joseph William.P (2012), 'Automatic Ambulance Rescue System Using Shortest Path Finding Algorithm,' International Journal of Science and Research, vol.3, Issue 5.
- [4].Andrew Phan and Frank P. Ferrie (2011), 'Interpolating Sparse GPS Measurements Via Relaxation Labeling and Belief Propagation for the Redeployment of Ambulances,'IEEE Trans. Intell. Transp. Syst, vol. 12, no. 4.
- [5].Akyildiz.I.F, W. Su, Y. Sankarasubramaniam, and E. Cayirci(2002), 'A survey on sensor networks,' IEEE Communications Magazine, Vol. Forty, pp. 102-114.
- [6] Traffic Congestion in Bangalore—A Rising Concern. [Online]. Available: [http://www.Commonfloor.Com/guide/traffic congestion-in-bangalore-springing up- difficulty-27238.Html](http://www.Commonfloor.Com/guide/traffic%20congestion-in-bangalore-springing-up-difficulty-27238.Html), accessed 2013.
- [7] A. K. Mittal and D. Bhandari, —A novel approach to put in force green wave gadget and detection of stolen vehicles,|| in Proc. IEEE third Int. Adv. Comput., Feb. 2013, pp. 1055–1059.